

# Dash Camera

## User Manual

EN JP

***SURFOLA***

SD710

## ***Thanks for your choosing!***

Please read and follow this user manual carefully and keep it in a safe place for future reference.

Surfola consistently attaches great importance to product quality and high customer satisfaction. We sincerely hope you can make a few suggestions during your use to help us improve our products. Your precious suggestions will help us shape our business to perfectly fit your standards. We'll soon introduce series of new products for our valued customers, please share this with your friends.

Just let us know if you encounter any problem during your use. Our support team will provide you our best solution without any delay. And all items purchased from Surfola are covered by 1 year warranty.

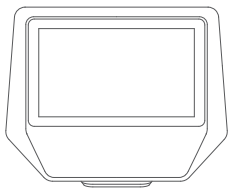
After-sale email address: **support.dc@surfola.co/support@surfola.co**

Look forward to bringing you more great products in the future..

Kind regards,

Surfola Support Team

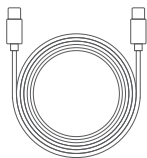
## Package Contents



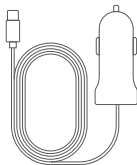
Front Camera  
フロントカメラ



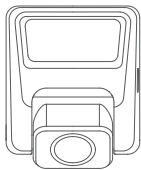
Magnetic 3M Mount  
磁石式3Mマウント



USB Type C Cable  
USB Type Cケーブル



Car Charger  
カーチャージャー



Rear Camera  
リアカメラ

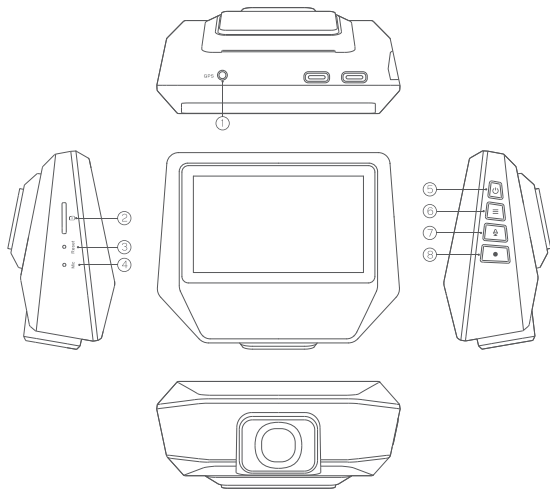


Crowbar  
パール



Pin  
リセット用ピン

## Camera Overview



① GPS

③ Reset  
リセット

⑤ Power  
電源ボタン

⑦ Mic  
マイクボタン

② TF Card Slot  
TFカードスロット

④ Microphone  
マイク

⑥ Menu  
メニューボタン

⑧ Confirm  
確認ボタン

## Specifications

Model	SD710
Image Sensor	Sony IMX335
CPU	DSP NT96675
Screen	3" IPS
Wide-Angle Lens	170°+ 170° Ultra-Wide Angle
Recording Resolutions	1440p (30fps), 1080p (30fps)
Image Format	JPG
Video Format	H.264, MP4
Aperture	F=1.8
Image Size	12MP,10MP,8MP,5MP
Operating Temperature	-10°C - 60°C (14°F - 140°F)
Input	DC 5V, Above 2A via USB Type C
Size	94 x 41 x 79 mm / 3.7" x 1.6" x 3.1"

## System LED Indicator

Status	Meaning
Solid Blue	On; Not recording or charging
Red and Flashing Blue	Charging; Recording
Red and Blue	Charging; On; Not recording
Off	Off

## Buttons Instruction

Button	Recording Mode	Setup Menu	Playback Mode
Power	Start/stop recording; Press and hold to turn on/off the device	Return to previous menu	Return to playlist
Menu	/	Move Up	Rewind
Mic	Turn on/off Audio Recording	Move down	Fast-Forward
Confirm	Emergency recording	Enter/Confirm	Play/Pause
Reset	Short press to reboot the device		

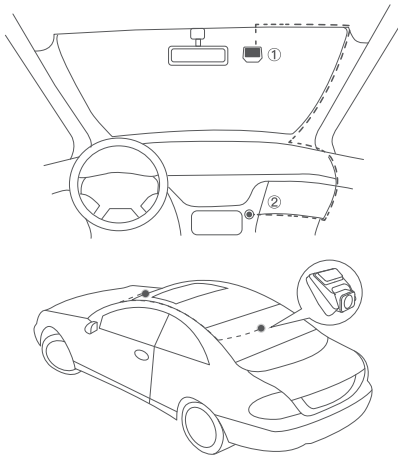
## Insert Memory Card

For best operation, please prepare a formatted Class 10 Micro SD/TF card with a capacity of 32GB / 128GB. The micro SD card must be formatted to FAT 32 64 KB or EXFAT on computer then format it again with using the 'Format' option in Dash Camera 'Setup' before the first use.



## **Install the Camera**

For optimal performance, install the SD710 camera behind the rear-view mirror to prevent obstructing your view when driving.



1. Clean the windshield and remove the the plastic film on the the 3M magnetic adhesive.
2. Insert 3M magnetic adhesive on the suitable site of the windshield.
3. Insert the dash cam into 3M magnetic adhesive.
4. Plug the car charger to the USB type C port.
5. Plug the rear camera cable to the rear camera port and install it outside your car. Please install the rear camera following the instructions above carefully to avoid damage to the camera. We strongly recommend that you install it by a professional.

## Instructions for Video Mode

When the dash cam is turned on, it enters the Video Mode and automatically starts recording. Pressing the 'Power' button to stop recording.



Press the 'Menu' button to switch Video Mode to Setup Mode and enter the following functions:

- |                       |                    |                          |
|-----------------------|--------------------|--------------------------|
| ① Recording           | ⑥ Motion detection | ⑪ Gravity Sensor         |
| ② Menu                | ⑦ Loop recording   | ⑫ Audio Recording Status |
| ③ Audio Recording     | ⑧ GPS              | ⑬ SD/ TF Card            |
| ④ Emergency Recording | ⑨ Emergency Video  | ⑭ Battery                |
| ⑤ WDR                 | ⑩ Parking Guard    |                          |

The above image is for illustration and shows all functions active. Only the currently selected functions will be displayed in normal use.

### Important Note

A file can only be saved by the machine under normal recording condition.

However, the file may be damaged or lost in the following situations:

1. TF card is pulled out during recording. In this case, the last video may be damaged or lost.
2. It is powered off abnormally during recording. In this case, the last video may be damaged or lost.
3. It suffers a destructive collision during recording. In this case, the last video may be damaged or lost.



## **GPS Instructions**

1. For the GPS function, please prepare a GPS antenna (Not included).
2. Insert the GPS antenna when the machine is off. There will be a signal icon at the top of the screen after the machine is turned on.
3. Install the GPS antenna into the windshield, we advise that you install the antenna in the middle of the windscreen. GPS signal may be affected if you put the cam near A-pillar or roof of your car.
4. Please wait until the GPS stamp on the middle of the screen becomes green when you use it at the first time, and it may take 3 to 4 minutes for the cam to receive GPS signal.

## **GPS Player**

### **GPS Player for Windows/Mac:**

If you want to check the GPS information, please contact our after-sales team via [support.dc@surfola.co](mailto:support.dc@surfola.co) / [support@surfola.co](mailto:support@surfola.co) to get the dedicated player.

## **Warranty & Customer Support**

All items purchased from Surfola are covered by a 1 year warranty. If you encounter any problem when using our camera, please feel free to send a message of your problem, including your Amazon order number and product model number, to our official support email: [support.dc@surfola.co](mailto:support.dc@surfola.co) / [support@surfola.co](mailto:support@surfola.co)

We are always ready to provide you with great service!

## ビデオモードの説明

ドライブレコーダーがオンになると、録画モードになり、自動的に録画を開始します。「電源ボタン」を押すと録画を停止します。



「メニューボタン」を押すとビデオモードからセットアップモードに切り替わり次の機能を操作できます:

- |        |         |           |            |
|--------|---------|-----------|------------|
| ① 録画   | ⑤ WDR   | ⑨ 緊急動画    | ⑬ SD/TFカード |
| ② メニュー | ⑥ 動体検知  | ⑩ 駐車監視    | ⑭ バッテリー    |
| ③ 録音   | ⑦ ループ録画 | ⑪ Gセンサー   |            |
| ④ 緊急録画 | ⑧ GPS   | ⑫ 録音ステータス |            |

上記画像はすべての有効機能の説明です。表示されている機能のみを使用することができます。

### 重要事項

正常に動作している場合のみ、ファイルを記録することができます。

ただし、次の状態では、ファイルが破損または失われる可能性があります。:

- 録画中にTFカードが抜かれた場合、最後のビデオが破損または失われる場合があります。
- 録画中に突然電源オフになった場合、最後のビデオが破損または失われる場合があります。
- 録画中に衝突などでカメラが損傷した場合、最後のビデオが破損または失われる場合があります。

## GPSの説明

1. GPS機能を使用する場合、GPSアンテナ (別売り) をご用意ください。
2. おドライブレコーダーがオフの状態ですべてのGPSアンテナを接続してください。
3. GPSアンテナをフロントガラスに取り付けます。アンテナをフロントガラスの中央に取り付けることをお勧めします。カメラをAピラーまたは車のルーフの近くに置くと、GPS信号に影響する可能性があります。
4. 初めて使用する場合、GPSスタンプが緑色になるまでお待ちください。カメラがGPS信号を受信するまで3~4分かかる場合があります。

## GPS プレイヤー:

### Windows/Mac用のGPSプレイヤー:

GPS情報を確認したい場合は、[support.dc@surfola.co](mailto:support.dc@surfola.co) / [support@surfola.co](mailto:support@surfola.co) を通じて当社のアフターセールスチームに連絡し、専用プレイヤーお送りいたします。

## 保証とカスタマーサポート

Surfolaから購入したすべての商品には、1年間の保証が適用されます。ドライブレコーダーの使用中に問題が発生した場合、Amazonの注文番号や製品のモデル番号など、問題に関する内容を弊社のサポートメールアドレスまでお送りください。サポートメールアドレス: [support.dc@surfola.co](mailto:support.dc@surfola.co) / [support@surfola.co](mailto:support@surfola.co) こちらはいつも、より良いサービスをお客様に提供いたします!



Version 1.0